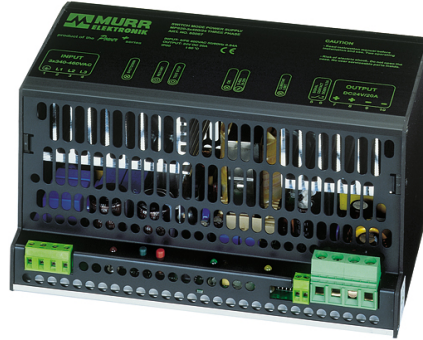


**MPS Power supply 3-phase, primary switched IN: 360-550VAC OUT: 22-28V/20ADC**

INPUT: 3 × 360...550 V AC

OUTPUT: 22...28 V DC

Current: 20 A

**Image**

- Units decoupling through diode block at parallel usage.

- stable output voltage, short-circuit and overload protected

- Wide voltage input

- Protection IP20

Vicarious picture

**Approvals****Input**

Voltage range	3 × 360...550 V AC
Input current	3 × 0.84 A
External fuse	max. 10 A
Frequency	50/60 Hz

**Output**

Output voltage	24 V DC (SELV), ±1 %; 22...28 V adjustable
Output current	20 A (+60 °C); 24 A (+40 °C)
Hold up time	>= 3 ms (400 V AC)
Ripple	max. 20 mV rms
Spikes	max. 100 mV ss
Short-circuit and overload protection	yes
Phase monitoring	Switching off during 2-phase operation
LED display	LED (green): in operation; LED (red): off; LED (yellow): pre-warning when overheated or overloaded
Parallel usage/serial usage	yes/yes

**General data**

Standards	(EN 60950-1), (EN 61204-3), (EN 55022 B)
Temperature range	0...+60 °C (storage temperature -25...+85 °C)
Mounting method	DIN-rail mountable TH35 (EN 60715), additional plate for screw mounting Art.-No. 89500
Efficiency	90 %
Relative humidity	30...90 %, no condensation
Dimensions H × W × D	132 x 243 x 123 mm

**Commercial data**

Net weight	2914
Weight unit	gram
Basic unit	pc.
Customs tariff number	85044090
Unit (piece)	1
Limited value	1

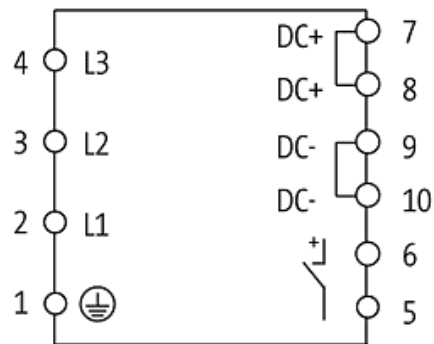
**Comments**

This switch mode power supplies meet the (EN 61000-3-2) standard for harmonic current.

All data on this data sheet was compiled carefully.

Liability regarding correctness, completeness, and actuality is limited to gross negligence. Created: 11/12

## Circuit diagram



## Dimension drawing

