

# Universal / Standard Ku-band 6W BUC

## MODEL No. NJT8306 series

### < Features >

#### \* RF Frequency Line-up

- Universal Ku-band: 13.75 to 14.5 GHz
- Standard Ku-band: 14.0 to 14.5 GHz

#### \* High Efficiency Output Power

- P1dB: +37.8 dBm min. over temperature
- ACPR: -26 dBc @ Pout = +37.8 dBm
- Power Consumption: 45 W

#### \* LED Indicator Equipped

- Monitoring L.O. Lock

#### \* Smaller Size & Lighter Weight

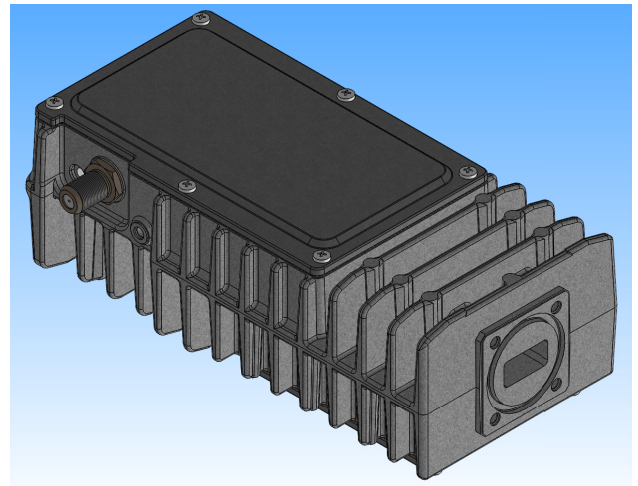
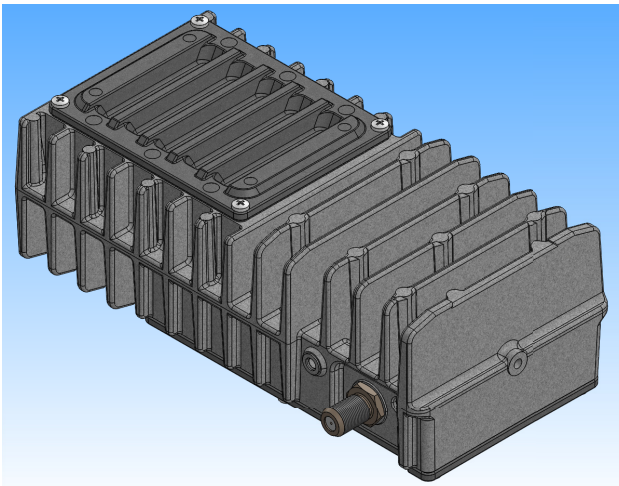
- Dimension: 174.9 (L) × 84 (W) × 59.2 (H) mm
- Weight: 1.3 kg



### < Line-Up >

Model No.	RF Frequency	Local Frequency	IF Frequency	Output Power @ P1dB	IF Connector	Power Supply
NJT8306N	14.0 to 14.5GHz (Standard Ku-band)	13.05 GHz	950 to 1,450 MHz	6W Linear (+37.8dBm min.)	N-type	+12 to +30 V DC Power
NJT8306F					F-type	
NJT8306UN	13.75 to 14.5GHz (Universal Ku-band)	12.80 GHz	950 to 1,700 MHz		N-type	
NJT8306UF					F-type	

### < Outline >



\*Note: The contents of this sheet are subject to change without notice.

(1/4)  
Rev.01 (October, 2014) Ku 6W BUC\_NJT8306

# ■ Universal / Standard Ku-band **6W** BUC

## MODEL No. **NJT8306** series

### < Specifications >

Item	Specifications
Output Power @ 1dB G.C.P. (P1dB)	+37.8 dBm min. over temperature
Linear Gain	62 dB nom., 56 dB min.
Gain Variation over frequency <Universal Ku-band> <Standard Ku-band>	5 dBp-p max. over 750 MHz / 2 dBp-p max. over 54 MHz 5 dBp-p max. over 500 MHz / 2 dBp-p max. over 54 MHz
Gain Stability over temperature	2 dBp-p typ., 4 dBp-p max.
ACPR	-26 dBc @ Pout = +37.8 dBm
L.O. Phase Noise	-60 dBc/Hz max. @ 100 Hz -70 dBc/Hz max. @ 1 kHz -80 dBc/Hz max. @ 10 kHz -90 dBc/Hz max. @ 100 kHz -100 dBc/Hz max. @ 1 MHz
Input V.S.W.R.	2 : 1 max.
Output Load VSWR [for Recommendation] [for Non Damage]	1.3 : 1 max. 3 : 1 max.
Power Requirement (1) Voltage Range (2) Power Consumption @ P1dB	12 to 30 V DC Power 35 W typ. @ No IF signal 45 W typ., 50 W max. @ Pout = +37.8 dBm 3 W max. @ 10 MHz reference off (Mute on)
Mute	Shut off the HPA in case of L.O. unlocked or no 10 MHz reference signal
Temperature Range (ambient) Operating:	-40 to +65 °C (Operation Guarantee) -40 to +60 °C (Performance Guarantee)
Storage:	-40 to +75 °C
Dimension & Housing	174.9 (L) x 84 (W) x 59.2 (H) mm without interface connector and screws
Weight	1.7 kg

\*Note: The contents of this sheet are subject to change without notice.

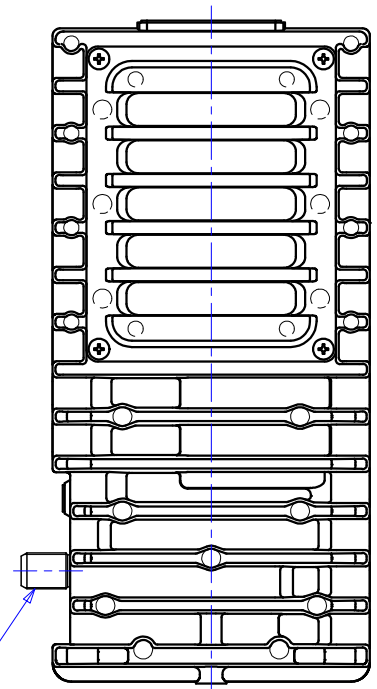
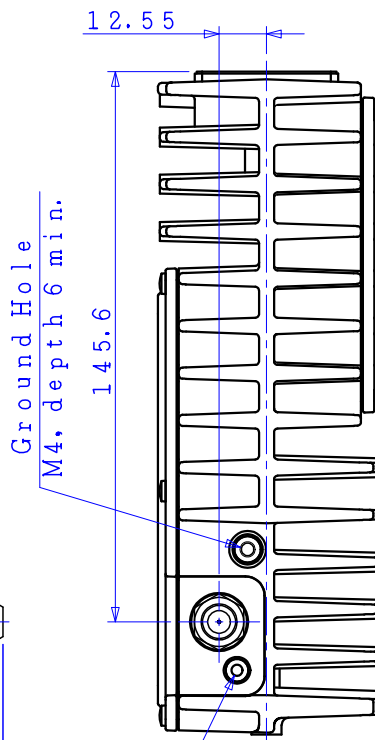
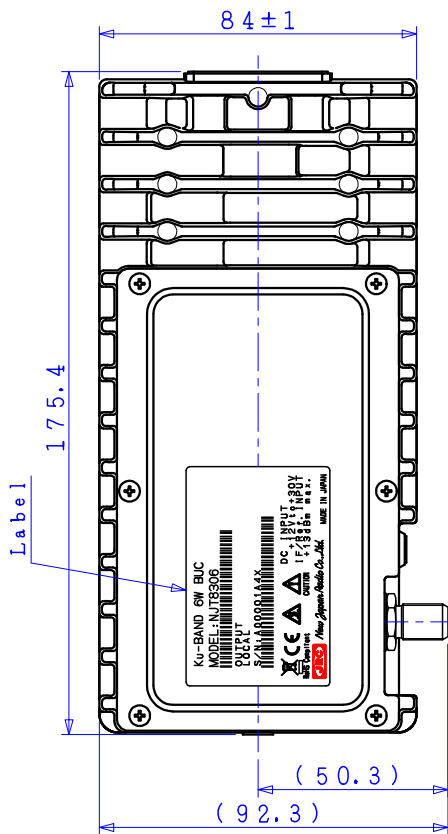
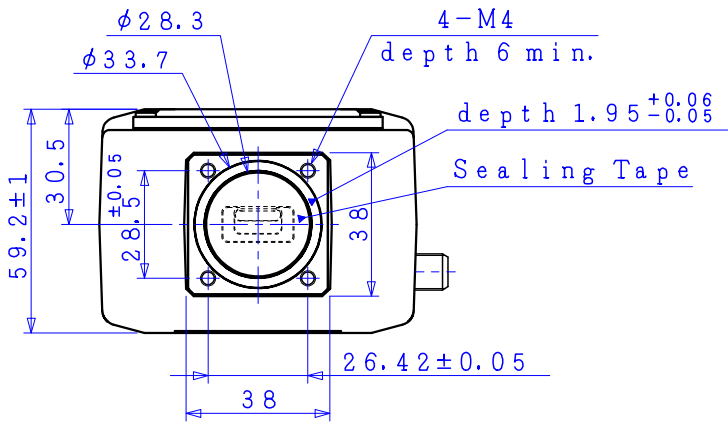
(2/4)  
Rev.01 (October, 2014) Ku 6W BUC\_NJT8306

# Universal / Standard Ku-band 6W BUC

## MODEL No. NJT8306 series

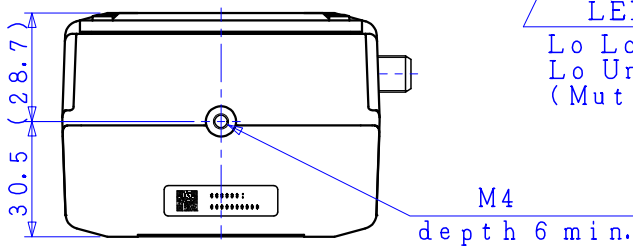
### < Outline Drawing >

#### F-type, female Connector Model



F-type Female Connector  
IF/10MHz/DC Power Input

LED Indicator  
Lo Locked : Green  
Lo Unlocked : Red  
(Mute on)



UNIT: mm

Tolerance:  $\pm 0.5$

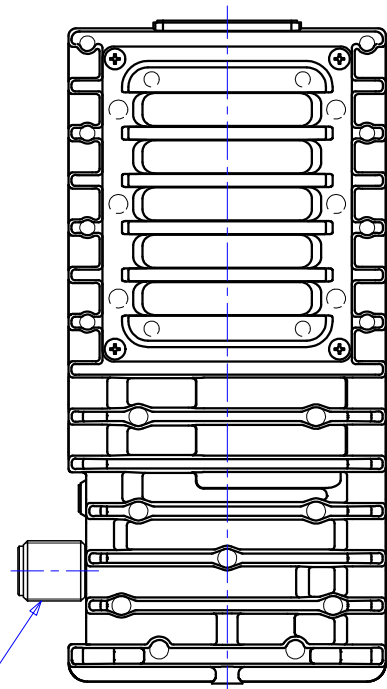
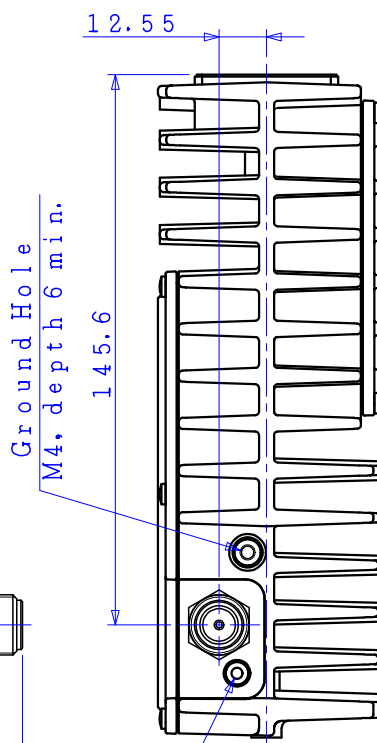
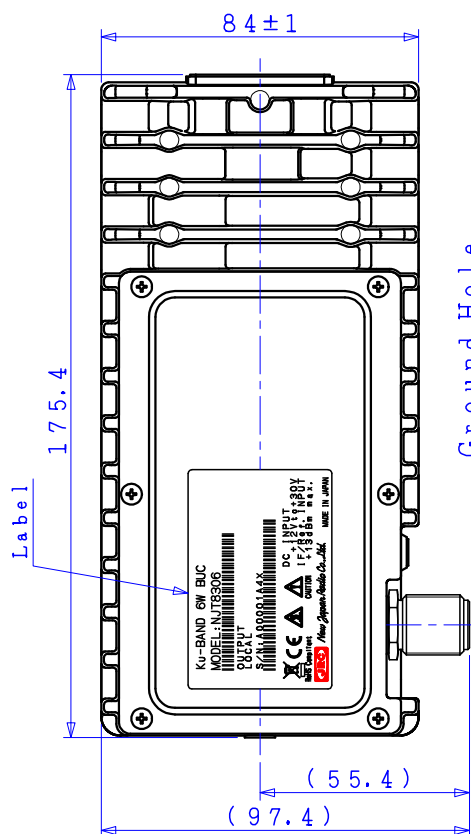
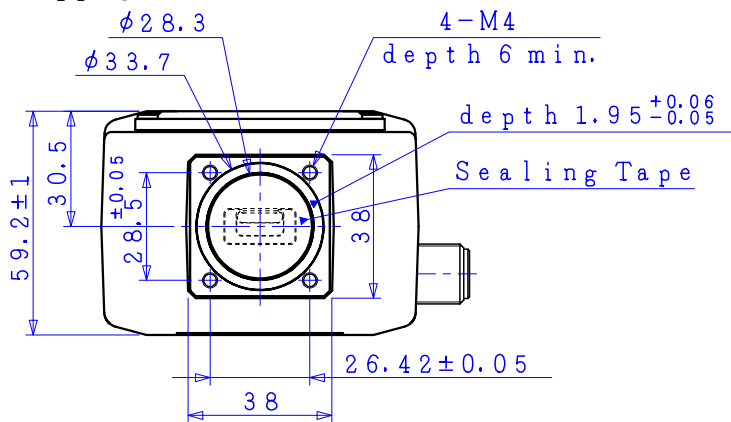
\*Note: The contents of this sheet are subject to change without notice.

# Universal / Standard Ku-band 6W BUC

## MODEL No. NJT8306 series

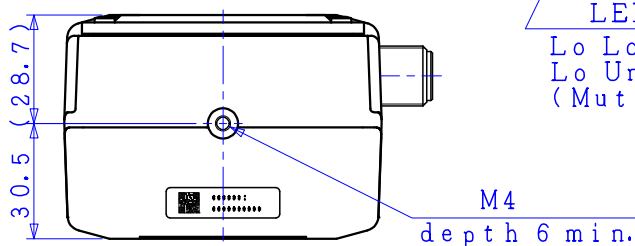
### < Outline Drawing >

#### N-type, female Connector Model



N-type Female Connector  
IF/10MHz/DC Power Input

LED Indicator  
Lo Locked : Green  
Lo Unlocked : Red  
(Mute on)



UNIT:mm

Tolerance:±0.5

\*Note: The contents of this sheet are subject to change without notice.