

SATCOM RECEIVER

LNB

Ka Dual-band EXT LNB RD9000XBC-ISO



TYPICAL SPECIFICATIONS

Noise figure	1.5dB max @room temp (not including isolator)	Spurious	
LO stability	Phase locked to External Reference	In-band	-60dBc max @-10dBm
Phase noise	-60dBc/Hz @100Hz -70dBc/Hz @1KHz -80dBc/Hz @10KHz -90dBc/Hz @100KHz	Out-band (Including Harmonics)	-50dBc max @-10dBm
Input VSWR	1.5 : 1 (isolator 1.25:1)	LO leakage (Input)	-37dBm max
Output VSWR	2.0 : 1	Image rejection	40dBc min
Conversion gain	58dB (typ)	Switching voltage	18V(B-band), 24V(C-band) and mechanical switch
Gain flatness	±2.0dB over each band	DC voltage / current	+11 to +26 V / 350mA
Output P1dB	+10dBm	Input waveguide	WR-42
IP3	+15dBm min	Output connector	N:50Ω, F:75Ω
External reference	10MHz, -5 to +5 dBm	Dimension	134.82(L) x 70(W) x 39(H) mm
		Weight	600g
		Operating Temperature	-40 to + 60°C

FREQUENCY BANDS AVAILABLE

	B-band	C-band
Frequency Band	19.20 ~ 20.20 GHz	20.20 ~ 21.20 GHz
LO Frequency	18.20GHz	19.20GHz
IF Frequency	1000 ~ 2000 MHz	1000 ~ 2000 MHz

HOW TO ORDER KA DUAL-BAND EXT LNB, RD9000X

RD9015XBCN-ISO

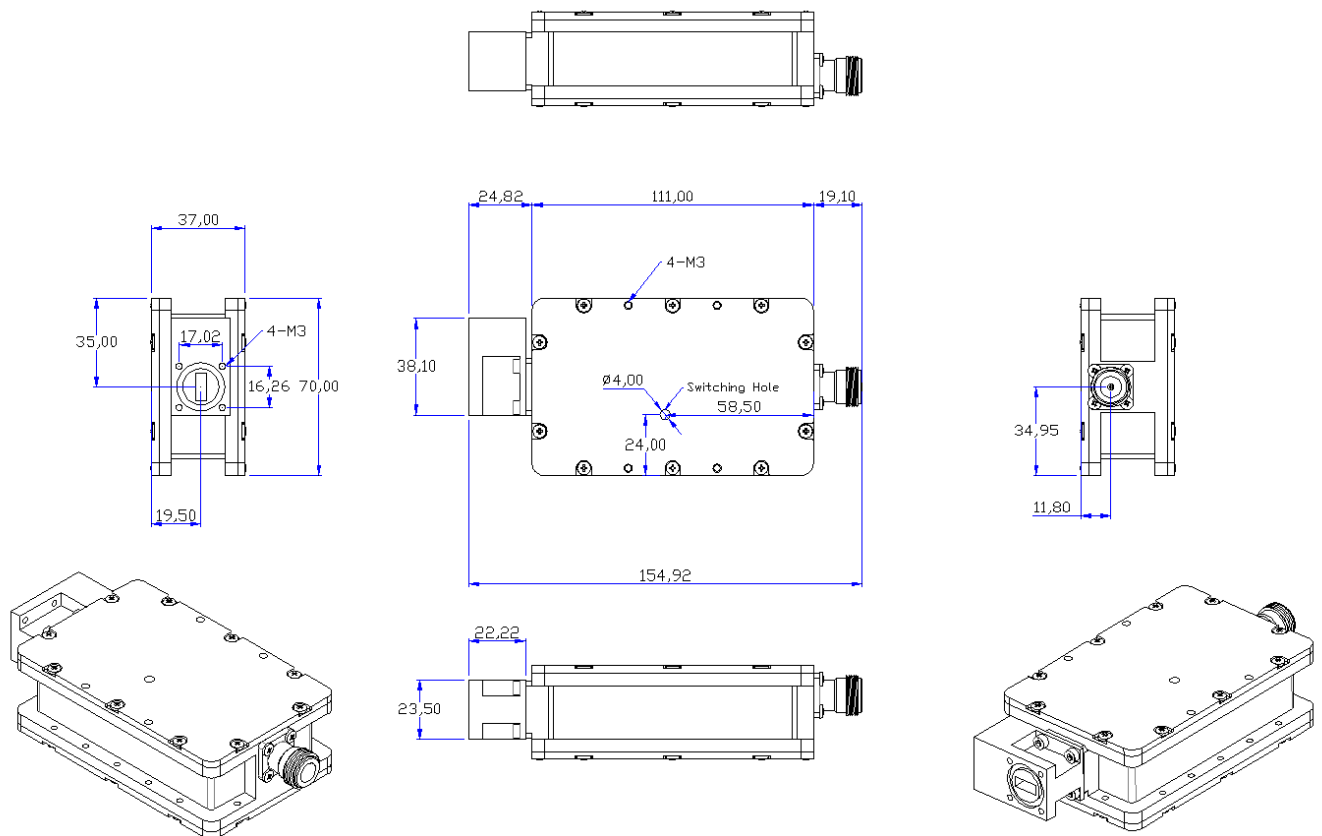


- Connector..... F : 75Ω, N : 50Ω
- Frequency band..... Switching between B and C-band
- External Reference
- Noise figure..... 15 : 1.5dB

RD9: Ka Dual-band LNB

SATCOM RECEIVER

OUTLINE DRAWING



Logic table of band-switching

Switching specifications	Band Switching	Input Voltage	Mechanical switch	Band
	Auto	18V	Auto	B
		24V	Auto	C
	B-Band	18V	B	B
		24V	B	B
	C-Band	18V	C	C
		24V	C	C