

Ku-band 8W BUC [AC Power Operating Option]

MODEL No. NJT5118NA/18FA

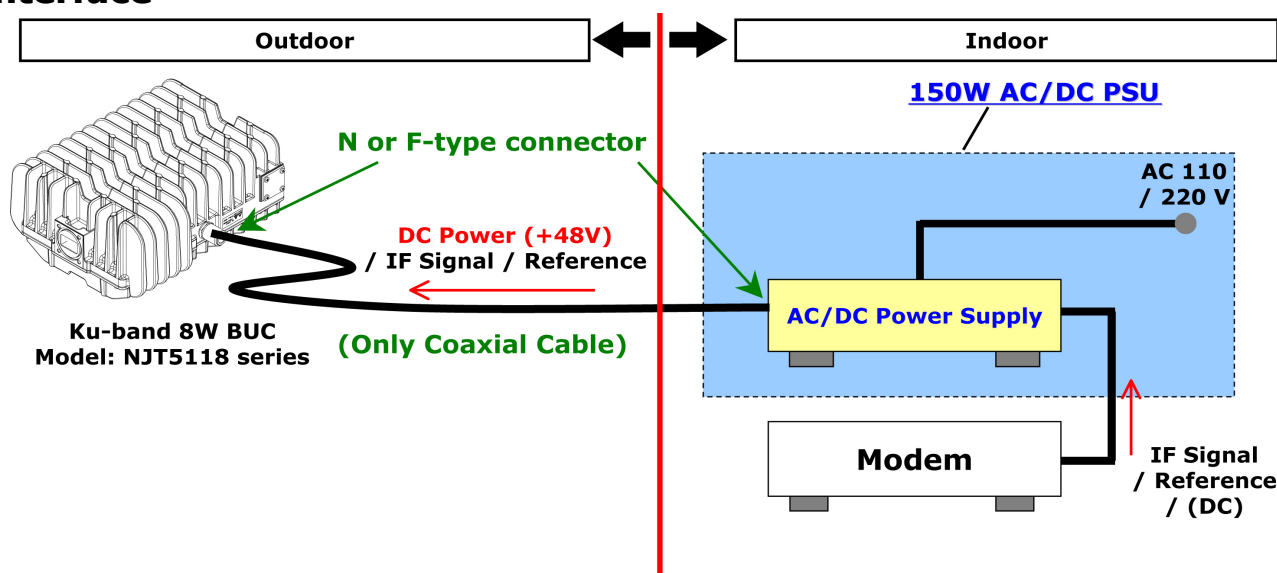
< Features >

- * **High Efficiency & Low Distortion**
 - P1dB: +39 dBm min. over temperature
 - IM3: -28 dBc @ Pout = +36 dBm
 - Power Consumption: 79 W
- * **AC Power Operating**
 - DC Power applied by 150W AC/DC PSU
- * **Compact Size & Light Weight**
 - Weight: 3.2 kg
- * **LED Indicator**
- * **RoHS Compliance**



< Overview of AC Power Operating >

- Interface -



- 150W AC/DC PSU -

- * The features of 150W AC/DC Power Supply Unit (PSU) is to provide the stable +48V DC power to operate C-band 10W BUCs, even if inner power supply of the modem is not capable enough to operate these BUCs.
- * The AC/DC box, which is having enough power supply of 150W as well as having the bias-tee which enable to pass 10MHz reference signal and L-band IF signal from the modem, is operated by AC Power and enable to operate these BUCs.
- * In addition, the aluminum housing with corrosion-proof treatment on the surface is employed with the box to use perfectly as the indoor unit.



■ Ku-band 8W BUC [AC Power Operating Option]

MODEL No. **NJT5118NA/18FA**

< Line-Up >

Model No.	RF Frequency	Local Frequency	IF Frequency	Output Power @ P1dB	IF Connector	Power Supply	Port for Voltage Input	LED Indicator
NJT5118NA	14.0 to 14.5 GHz (Standard Ku-band)	13.05 GHz	950 to 1,450 MHz	8W Linear (+39 dBm min.)	N-type	AC Power: 90 to 264 VAC, 50/60 Hz	IF Connector supplied by 150W AC/DC PSU through IF Cable	Equipped
NJT5118FA					F-type			

< Specifications >

- BUC -

Item	Specifications
Output Interface	Waveguide, WR75 (with Groove)
Input Interface	N-type, female (50 ohm) [Model No.: NJT5118NA] F-type, female (75 ohm) [Model No.: NJT5118FA]
Output Power @ 1 dB G.C.P.	+39 dBm min. over temperature
Linear Gain	65 dB nom., 59 dB min.
IM3	-28 dBc typ. @ total power = +39 dBm - 3 dB
Requirement for External Reference	[Frequency] 10 MHz (sine-wave) [Input Power] -5 to +5 dBm @ Input port [Phase Noise] -125 dBc/Hz max. @ 100 Hz -135 dBc/Hz max. @ 1 kHz -140 dBc/Hz max. @ 10 kHz
L.O. Phase Noise	-60 dBc/Hz max. @ 100 Hz -70 dBc/Hz max. @ 1 kHz -80 dBc/Hz max. @ 10 kHz -90 dBc/Hz max. @ 100 kHz
Receive Band Noise Density	-156 dBm/Hz max. @10.95 to 12.75 GHz
Input / Output V.S.W.R.	2.0 : 1 max. / 2.0 : 1 max.
Power Requirement	+24 / +48 VDC (+18 to +60 VDC)
Power Consumption	79 W typ., 90 W max.
Mute	Shut off the HPA in case of L.O. unlocked or no 10 MHz reference signal.
LED Indicator	GREEN: L.O. locked / RED: L.O. unlocked or no 10 MHz reference signal
Port for Voltage Input	IF Connector supplied by 150W AC/DC PSU through IF Cable
Temperature Range (ambient)	-40 to +55 C (operating), -40 to +75 C (storage)
Dimension & Housing (without Interface Connectors)	219.5 mm (L) x 175 mm (W) x 99 mm (H) [8.64" (L) x 6.89" (W) x 3.90" (H)]
Weight	3.2 kg [7.0 lbs]

- 150W AC/DC PSU -

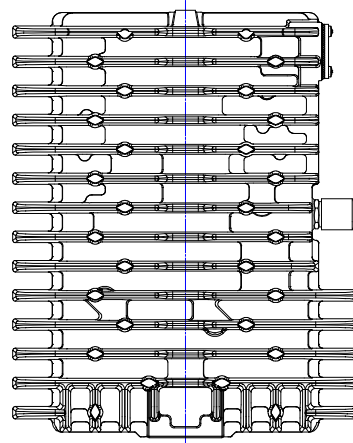
Item	Specifications
Interface	AC Input IEC320-C14 inlet IF/Ref./(DC) Input N-type, female (50 ohm) / F-type, female (75 ohm) IF/Ref./DC Output N-type, female (50 ohm) / F-type, female (75 ohm)
Input AC Voltage Range	Rated Range 100 to 240 VAC Absolute Maximum Rating 90 to 264 VAC
Input AC Frequency Range	50 / 60 Hz
Output Voltage / Power	+48 VDC +/- 10 % / 150 W max.
Efficiency	80 % typical at 120 VAC, full load
Power Factor	0.98 typical at 120 VAC, full load
IF Frequency	950 to 1,700 MHz
IF Insertion Loss	1 dB max.
IF Input/Output VSWR	1.5 : 1 max.
Standard	EN55022, EN55024, EN60950-1, EN61000-3-2/3, EN62311
Temperature Range (ambient)	0 to +50 C (operating), -30 to +85 C (storage)
Cooling	Forced Air by Fan
Dimension & Housing (without Interface Connectors / Switch)	290 mm (W) x 230 mm (D) x 44 mm (H) [11.41" (W) x 9.06" (D) x 1.73" (H)]
Weight (without Cable)	1.6 kg [3.5 lbs]
Accessories	Coaxial cable of 1 m, AC power cable of 1 m, 1U rack mount kit (Option)

■ **Ku-band 8W BUC [AC Power Operating Option]**

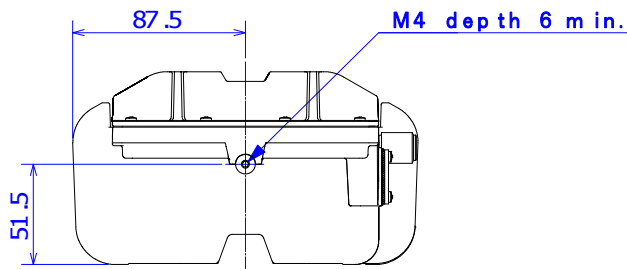
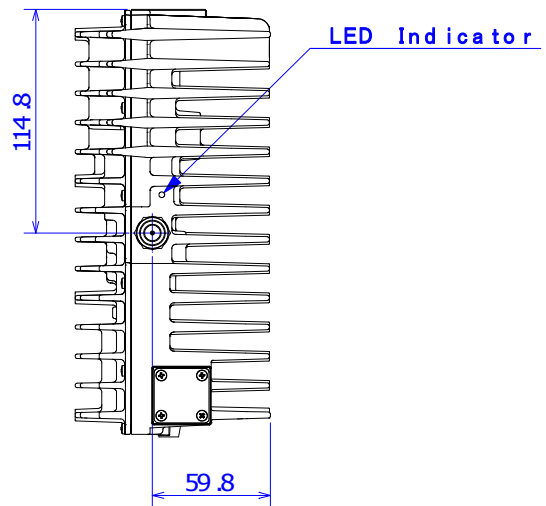
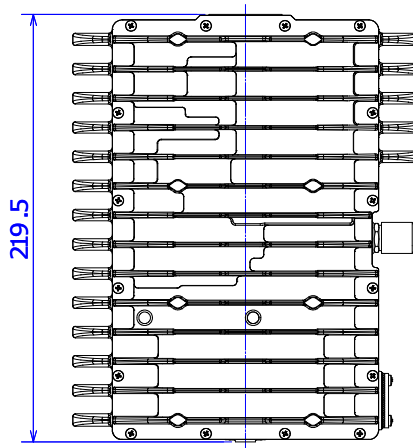
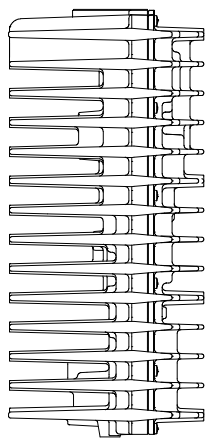
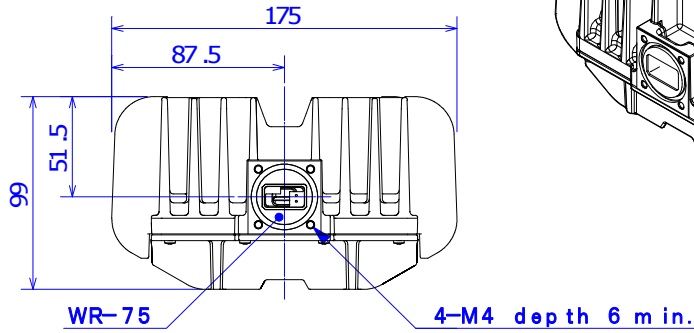
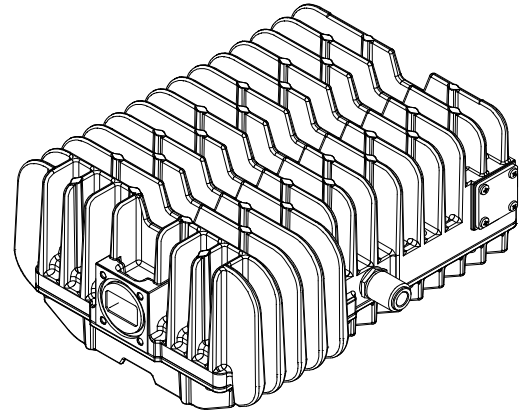
MODEL No. NJT5118NA/18FA

< Outline Drawing >

NJT5118NA
- BUC -



N-type, female connector
IF / Ref. (10MHz)
DC Power: +18 to +60 VDC



Unit: mm

Note: The contents of this sheet are subject to change without notice.

■ Ku-band 8W BUC [AC Power Operating Option]

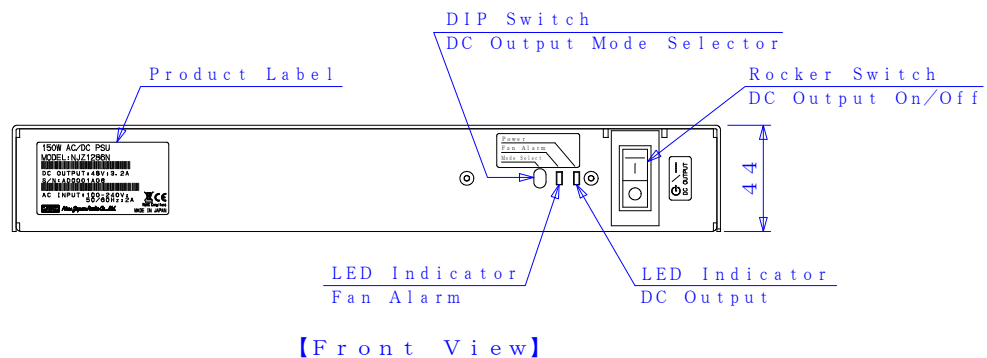
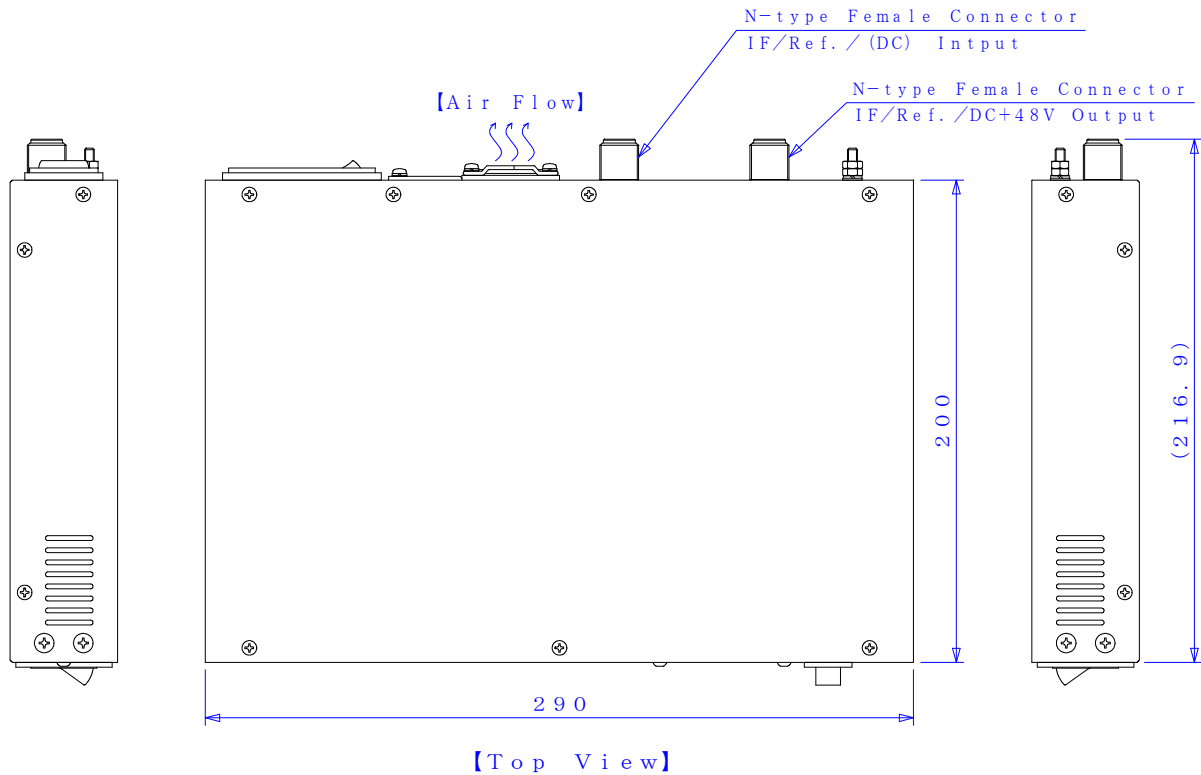
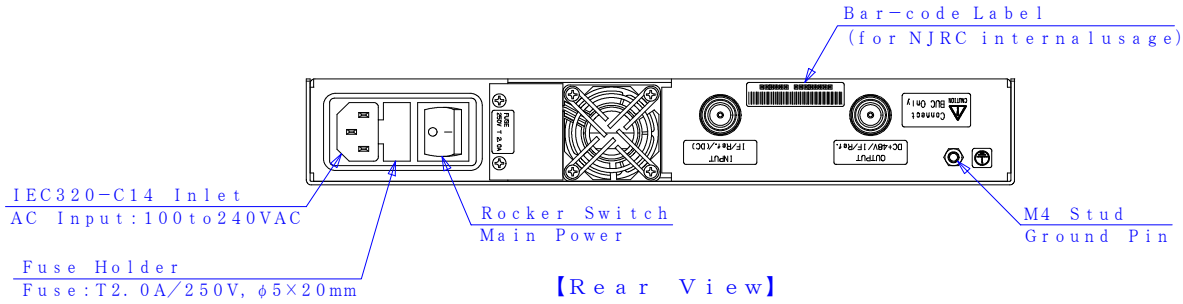
MODEL No. NJT5118NA/18FA

< Outline Drawing >

NJT5118NA

- 150W AC/DC PSU -

UNIT : mm

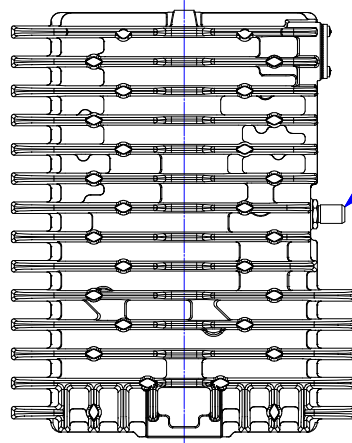


■ **Ku-band 8W BUC [AC Power Operating Option]**

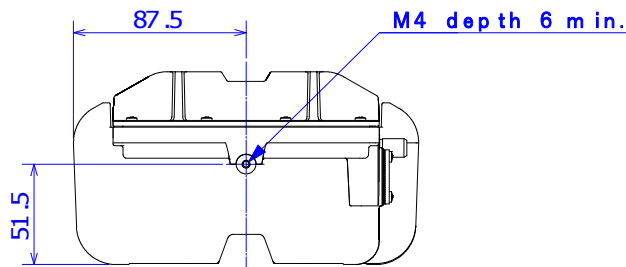
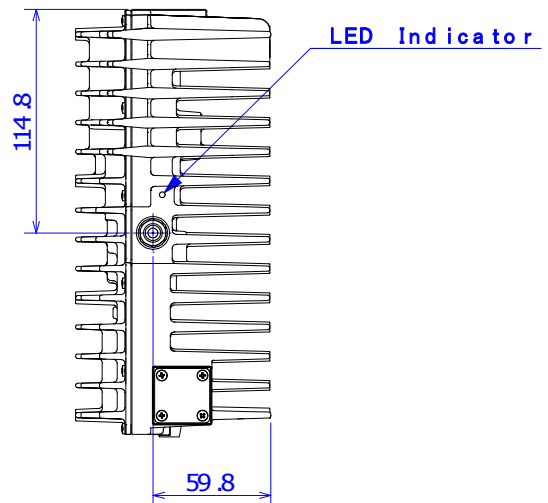
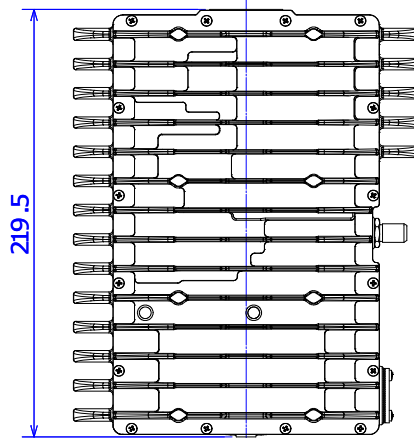
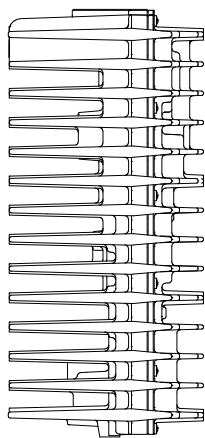
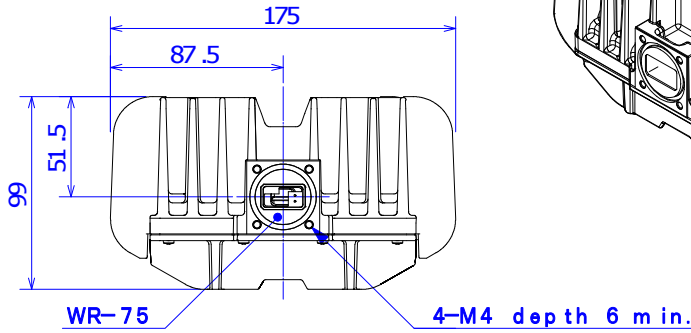
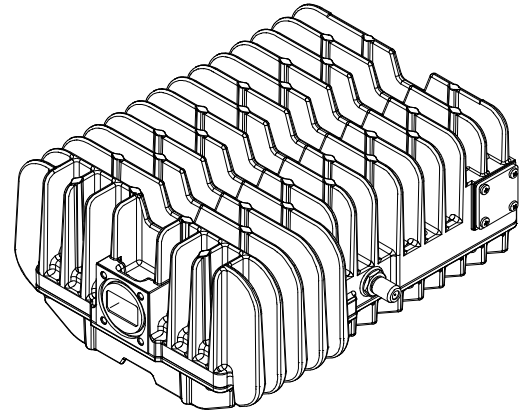
MODEL No. NJT5118NA/18FA

< Outline Drawing >

NJT5118FA
- BUC -



F-type, female connector
IF / Ref. (10MHz)
DC Power: +18 to +60 VDC



Unit: mm

■ Ku-band 8W BUC [AC Power Operating Option]

MODEL No. NJT5118NA/18FA

< Outline Drawing >

NJT5118FA

- 150W AC/DC PSU -

UNIT : mm

