



## Precision 2.4mm Female to 1.85mm Male Adapter

### TECHNICAL DATA SHEET

PE9673

#### Precision 2.4mm Female to 1.85mm Male Adapter

##### Configuration

Connector 1	2.4mm Female
Impedance 1	50 Ohms
Connector 2	1.85mm Male
Impedance 2	50 Ohms
Adapter Design	Precision
Body Style	Straight

##### Electrical Specifications

Frequency Range, GHz	DC to 50
Maximum VSWR	1.3:1

##### Mechanical Specifications

###### Size

Length, in [mm]	0.768 [19.51]
Width/Dia., in [mm]	0.312 [7.92]

###### Connector 1

Type	2.4mm Female
Inner Conductor Material and Plating	Gold
Body Material and Plating	Passivated Stainless Steel
Dielectric Type	PPO

###### Connector 2

Type	1.85mm Male
Inner Conductor Material and Plating	Gold
Coupling Nut Material and Plating	Passivated Stainless Steel
Hex Size, in.	5/16
Torque, in-lbs [Nm]	8 [0.9]
Body Material and Plating	Passivated Stainless Steel
Dielectric Type	PPO

##### Compliance Certifications (visit [www.Pasternack.com](http://www.Pasternack.com) for current document)

RoHS Compliant	Yes
----------------	-----

Click the following link (or enter part number in "SEARCH" on website) to obtain additional part information including price, inventory and certifications: [Precision 2.4mm Female to 1.85mm Male Adapter PE9673](#)

The information contained in this document is accurate to the best of our knowledge and representative of the part described herein. It may be necessary to make modifications to the part and/or the documentation of the part, in order to implement improvements. Pasternack reserves the right to make such changes as required. Unless otherwise stated, all specifications are nominal.



## Precision 2.4mm Female to 1.85mm Male Adapter

### TECHNICAL DATA SHEET

PE9673

#### Plotted and Other Data

Notes:

Values at 25 °C, sea level

Precision 2.4mm Female to 1.85mm Male Adapter from Pasternack Enterprises has same day shipment for domestic and International orders. Our RF, microwave and fiber optic products maintain a 99% availability and are part of the broadest selection in the industry.

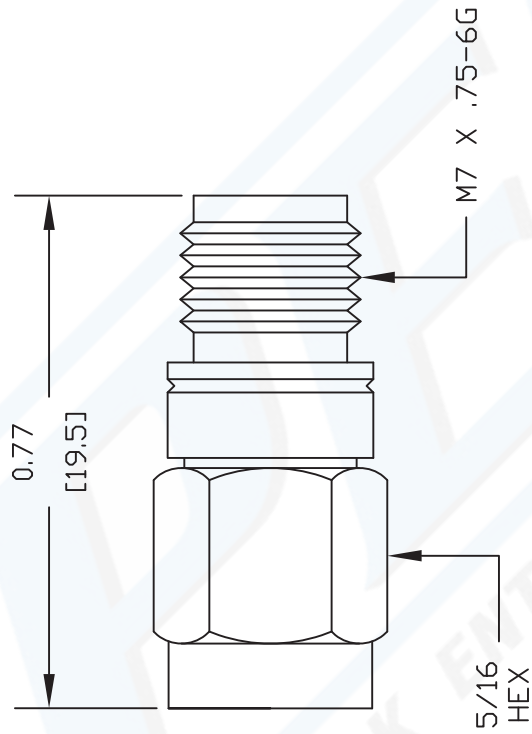
Click the following link (or enter part number in "SEARCH" on website) to obtain additional part information including price, inventory and certifications: [Precision 2.4mm Female to 1.85mm Male Adapter PE9673](http://www.pasternack.com/2.4mm-female-1.85mm-male-straight-adapter-pe9673-p.aspx)

URL: <http://www.pasternack.com/2.4mm-female-1.85mm-male-straight-adapter-pe9673-p.aspx>

The information contained in this document is accurate to the best of our knowledge and representative of the part described herein. It may be necessary to make modifications to the part and/or the documentation of the part, in order to implement improvements. Pasternack reserves the right to make such changes as required. Unless otherwise stated, all specifications are nominal.

# PE9673 CAD Drawing

Precision 2.4mm Female to 1.85mm Male Adapter



DWG TITLE

**PE9673**

NOTES:  
1. UNLESS OTHERWISE SPECIFIED ALL DIMENSIONS ARE NOMINAL.  
2. ALL SPECIFICATIONS ARE SUBJECT TO CHANGE WITHOUT NOTICE AT ANY TIME.  
3. DIMENSIONS ARE IN INCHES [mm].

REV. -

FSCM NO. 53919

CAD FILE 021903

SCALE N/A

SIZE A

127

**PASTERNAK ENTERPRISES, INC.**

PO BOX 16759, IRVINE, CA 92623  
PHONE (949) 261-1920 FAX (949) 261-7451

WEB ADDRESS: [www.pasternack.com](http://www.pasternack.com)  
E-MAIL ADDRESS: [sales@pasternack.com](mailto:sales@pasternack.com)

**COAXIAL & FIBER OPTICS**

