



## Precision 2.4mm Male to 2.4mm Female Adapter

### TECHNICAL DATA SHEET

PE9452

#### Precision 2.4mm Male to 2.4mm Female Adapter

##### Configuration

Connector 1	2.4mm Male
Impedance 1	50 Ohms
Connector 2	2.4mm Female
Impedance 2	50 Ohms
Adapter Design	Precision
Body Style	Straight

##### Electrical Specifications

Frequency Range, GHz	DC to 50
Maximum VSWR	1.3:1

##### Frequency 1

Frequency, GHz	DC to 18
VSWR	1.1:1

##### Frequency 2

Frequency, GHz	18 to 26.5
VSWR	1.2:1

##### Mechanical Specifications

##### Size

Length, in [mm]	0.793 [20.14]
Width/Dia., in [mm]	0.312 [7.92]

##### Connector 1

Type	2.4mm Male
Hex Size, in.	5/16

##### Connector 2

Type	2.4mm Female
------	--------------

##### Compliance Certifications (visit [www.Pasternack.com](http://www.Pasternack.com) for current document)

RoHS Compliant	Yes
----------------	-----

##### Plotted and Other Data

Notes:	Values at 25 °C, sea level
--------	----------------------------

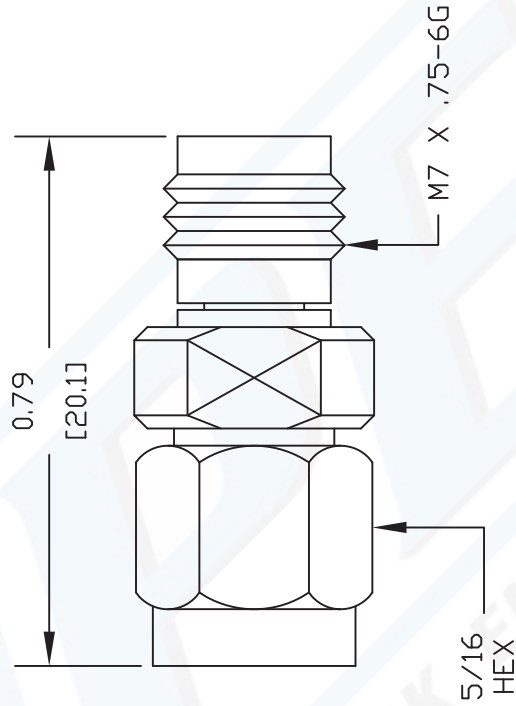
URL: <http://www.pasternack.com/2.4mm-male-2.4mm-female-straight-adapter-pe9452-p.aspx>

Precision 2.4mm Male to 2.4mm Female Adapter from Pasternack Enterprises has same day shipment for domestic and International orders. Our RF, microwave and fiber optic products maintain a 99% availability and are part of the broadest selection in the industry.

The information contained in this document is accurate to the best of our knowledge and representative of the part described herein. It may be necessary to make modifications to the part and/or the documentation of the part, in order to implement improvements. Pasternack reserves the right to make such changes as required. Unless otherwise stated, all specifications are nominal.

# PE9452 CAD Drawing

Precision 2.4mm Male to 2.4mm Female Adapter



DWG TITLE

**PE9452**

NOTES:  
1. UNLESS OTHERWISE SPECIFIED ALL DIMENSIONS ARE NOMINAL.  
2. ALL SPECIFICATIONS ARE SUBJECT TO CHANGE WITHOUT NOTICE AT ANY TIME.  
3. DIMENSIONS ARE IN INCHES [mm].

**PASTERNAK ENTERPRISES, INC.**  
P O BOX 16759, IRVINE, CA 92623  
PHONE (949) 261-1920 FAX (949) 261-7451  
WEB ADDRESS: [www.pasternack.com](http://www.pasternack.com)  
E-MAIL ADDRESS: [sales@pasternack.com](mailto:sales@pasternack.com)  
**COAXIAL & FIBER OPTICS**



REV. -

FSCM NO. 53919

CAD FILE 101702

SCALE N/A

SIZE A

127