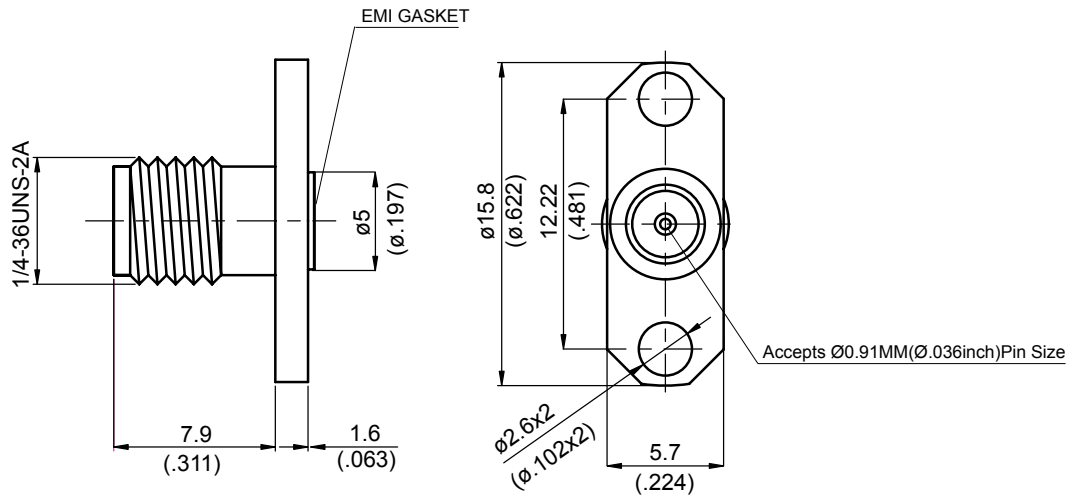


SMA8F26A-0036

2-Hole Flange Field Receptacle Jack 50Ω



NOTE: RL ≤ -20dB UP TO 27 GHz

Parts	Material	Plating (Micro-inch)
EMI Gasket	Conductive Silicon Elastomers	
Contact Pin	Beryllium Copper	Gold 20 Over Nickel 50 Over Copper 50
Insulator	Teflon	
Body	Stainless	Passivated

Weight: 1.62 g

This part number complies with RoHS.

Notice: JYEBAO reserves the right to make modifications deemed appropriate.