



Precision 1.85mm Male to 3.5mm Female Adapter

TECHNICAL DATA SHEET

PE9747

Precision 1.85mm Male to 3.5mm Female Adapter

Configuration

Connector 1	1.85mm Male
Impedance 1	50 Ohms
Connector 2	3.5mm Female
Impedance 2	50 Ohms
Adapter Design	Precision
Body Style	Straight

Electrical Specifications

Frequency Range, GHz	DC to 34
Maximum VSWR	1.3:1

Mechanical Specifications

Temperature

Operating Range, deg C	-65 to +125
------------------------	-------------

Size

Length, in [mm]	0.776 [19.71]
Width/Dia., in [mm]	0.312 [7.92]

Connector 1

Type	1.85mm Male
Hex Size, in.	5/16
Torque, in-lbs [Nm]	8 [0.9]

Connector 2

Type	3.5mm Female
------	--------------

Compliance Certifications (visit www.Pasternack.com for current document)

RoHS Compliant	Yes
----------------	-----

Plotted and Other Data

Notes:	Values at 25 °C, sea level
--------	----------------------------

URL: <http://www.pasternack.com/3.5mm-female-1.85mm-male-straight-adapter-pe9747-p.aspx>

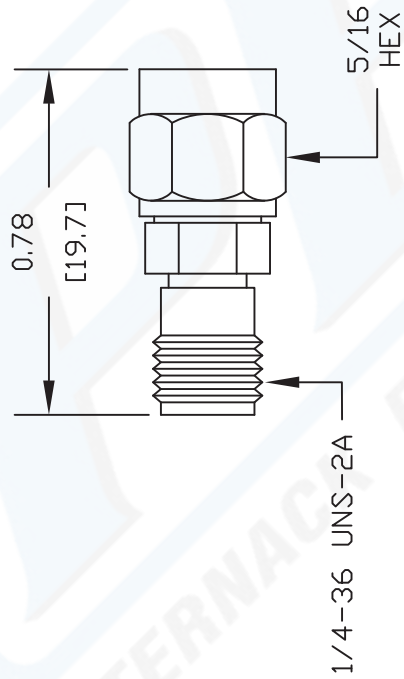
Precision 1.85mm Male to 3.5mm Female Adapter from Pasternack Enterprises has same day shipment for domestic and International orders. Our RF, microwave and fiber optic products maintain a 99% availability and are part of the broadest selection in the industry.

The information contained in this document is accurate to the best of our knowledge and representative of the part described herein. It may be necessary to make modifications to the part and/or the documentation of the part, in order to implement improvements. Pasternack reserves the right to make such changes as required. Unless otherwise stated, all specifications are nominal.



PE9747 CAD Drawing

Precision 1.85mm Male to 3.5mm Female Adapter



DWG TITLE

PE9747

REV. -

FSCM NO. 53919

CAD FILE 070303

SCALE N/A

SIZE A

127

NOTES:
1. UNLESS OTHERWISE SPECIFIED ALL DIMENSIONS ARE NOMINAL.
2. ALL SPECIFICATIONS ARE SUBJECT TO CHANGE WITHOUT NOTICE AT ANY TIME.
3. DIMENSIONS ARE IN INCHES [mm].

PASTERNAK ENTERPRISES, INC.

PO BOX 16759, IRVINE, CA 92623

PHONE (949) 261-1920 FAX (949) 261-7451

WEB ADDRESS: www.pasternack.com

E-MAIL ADDRESS: sales@pasternack.com

COAXIAL & FIBER OPTICS

