

## Precision 2.92mm Female to 2.4mm Female Adapter



## TECHNICAL DATA SHEET

PE9456

**Precision 2.92mm Female to 2.4mm Female Adapter**
**Configuration**

Connector 1	2.92mm Female
Impedance 1	50 Ohms
Connector 2	2.4mm Female
Impedance 2	50 Ohms
Adapter Design	Precision
Body Style	Straight

**Electrical Specifications**

Frequency Range, GHz	DC to 40
Maximum VSWR	1.3:1

**Frequency 1**

Frequency, GHz	DC to 18
VSWR	1.1:1

**Frequency 2**

Frequency, GHz	18 to 26.5
VSWR	1.2:1

**Frequency 3**

Frequency, GHz	26.5 to 40
VSWR	1.3:1

**Mechanical Specifications**
**Size**

Length, in [mm]	0.77 [19.56]
Width/Dia., in [mm]	0.36 [9.14]

**Connector 1**

Type	2.92mm Female
------	---------------

**Connector 2**

Type	2.4mm Female
------	--------------

**Compliance Certifications** (visit [www.Pasternack.com](http://www.Pasternack.com) for current document)

RoHS Compliant	Yes
----------------	-----

Click the following link (or enter part number in "SEARCH" on website) to obtain additional part information including price, inventory and certifications: [Precision 2.92mm Female to 2.4mm Female Adapter PE9456](#)

The information contained in this document is accurate to the best of our knowledge and representative of the part described herein. It may be necessary to make modifications to the part and/or the documentation of the part, in order to implement improvements. Pasternack reserves the right to make such changes as required. Unless otherwise stated, all specifications are nominal.

Precision 2.92mm Female to 2.4mm Female Adapter



TECHNICAL DATA SHEET

PE9456

**Plotted and Other Data**

Notes:

Values at 25 °C, sea level

URL: <http://www.pasternack.com/2.92mm-female-2.4mm-female-straight-adapter-pe9456-p.aspx>

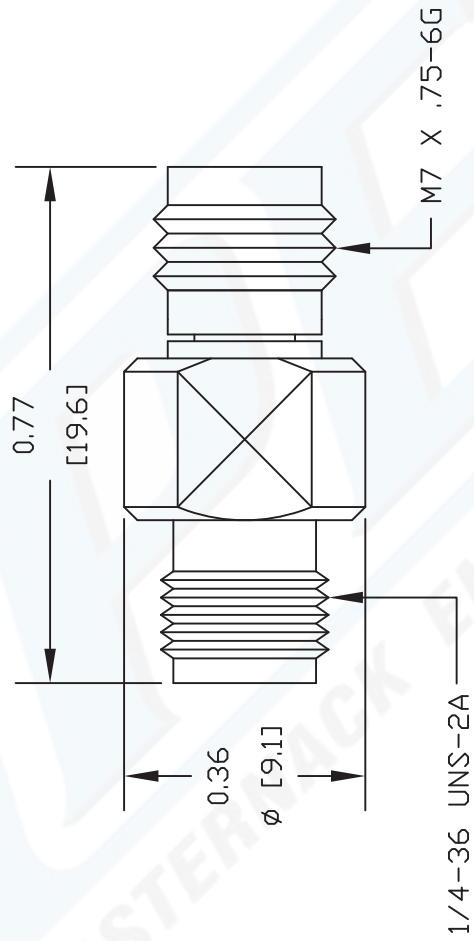
Precision 2.92mm Female to 2.4mm Female Adapter from Pasternack Enterprises has same day shipment for domestic and International orders. Our RF, microwave and fiber optic products maintain a 99% availability and are part of the broadest selection in the industry.

The information contained in this document is accurate to the best of our knowledge and representative of the part described herein. It may be necessary to make modifications to the part and/or the documentation of the part, in order to implement improvements. Pasternack reserves the right to make such changes as required. Unless otherwise stated, all specifications are nominal.



# PE9456 CAD Drawing

Precision 2.92mm Female to 2.4mm Female Adapter



DWG TITLE

**PE9456**

NOTES:  
 1. UNLESS OTHERWISE SPECIFIED ALL DIMENSIONS ARE NOMINAL.  
 2. ALL SPECIFICATIONS ARE SUBJECT TO CHANGE WITHOUT NOTICE AT ANY TIME.  
 3. DIMENSIONS ARE IN INCHES [mm].

REV. -

FSCM NO. 53919

CAD FILE 101602

SCALE N/A

SIZE A

127



**PASTERNAK®**  
 Pasternack Enterprises, Inc.  
 P.O. Box 16759 | Irvine | CA | 92623

Phone: (949) 261-1920 | Fax: (949) 261-7451

Website: [www.pasternack.com](http://www.pasternack.com) | E-Mail: [sales@pasternack.com](mailto:sales@pasternack.com)