

C-band 10W BUC [AC Power Operating Option]

MODEL No. NJT5762NA/62FA

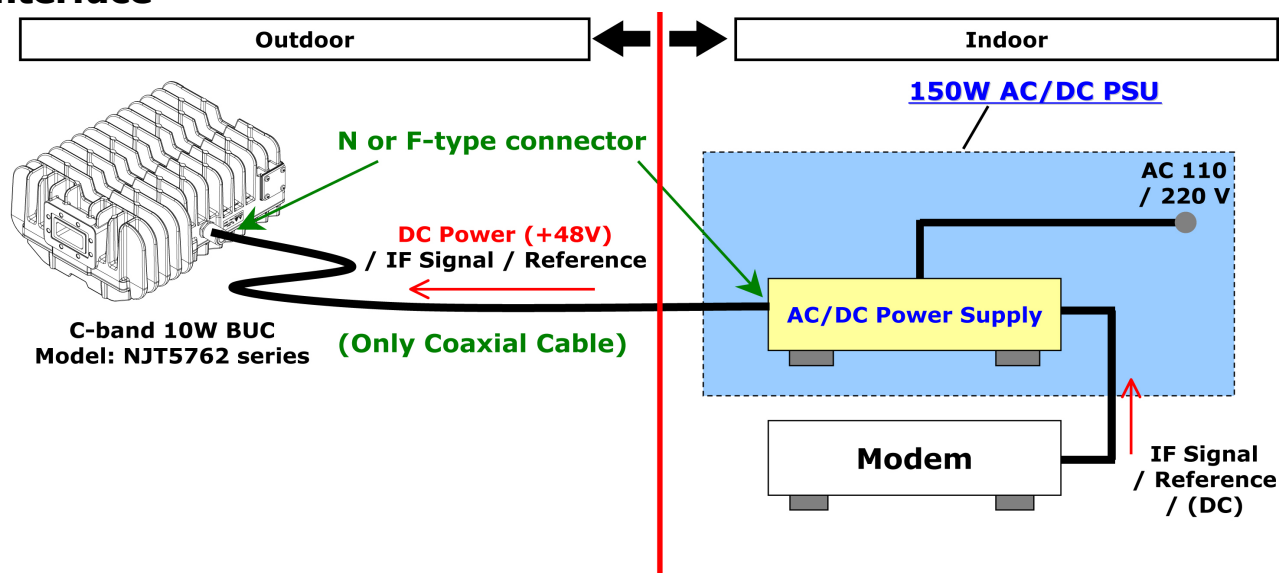
< Features >

- * **High Efficiency & Low Distortion**
 - P1dB: +40 dBm min. over temperature
 - IM3: -28 dBc @ Pout = +37 dBm
 - Power Consumption: 69 W
- * **AC Power Operating**
 - DC Power applied by 150W AC/DC PSU
- * **Compact Size & Light Weight**
 - Weight: 3.2 kg
- * **LED Indicator**
- * **RoHS Compliance**



< Overview of AC Power Operating >

- Interface -



- 150W AC/DC PSU -

- * The features of 150W AC/DC Power Supply Unit (PSU) is to provide the stable +48V DC power to operate C-band 10W BUCs, even if inner power supply of the modem is not capable enough to operate these BUCs.
- * The AC/DC box, which is having enough power supply of 150W as well as having the bias-tee which enable to pass 10MHz reference signal and L-band IF signal from the modem, is operated by AC Power and enable to operate these BUCs.
- * In addition, the aluminum housing with corrosion-proof treatment on the surface is employed with the box to use perfectly as the indoor unit.



■ C-band 10W BUC [AC Power Operating Option]

MODEL No. **NJT5762NA/62FA**

< Line-Up >

| Model No. | RF Frequency | Local Frequency | IF Frequency | Output Power @ P1dB | IF Connector | Power Supply | Port for Voltage Input | LED Indicator |
|-----------|-------------------------------------|-----------------|------------------|---------------------------|--------------|-----------------------------------|--|---------------|
| NJT5762NA | 5.85 to 6.425 GHz (Standard C-band) | 4.90 GHz | 950 to 1,525 MHz | 10W Linear (+40 dBm min.) | N-type | AC Power: 90 to 264 VAC, 50/60 Hz | IF Connector supplied by 150W AC/DC PSU through IF Cable | Equipped |
| NJT5762FA | | | | | F-type | | | |

< Specifications >

- BUC -

| Item | Specifications |
|--|--|
| Output Interface | Waveguide, CPR137 (with Groove) |
| Input Interface | N-type, female (50 ohm) [Model No.: NJT5762NA] F-type, female (75 ohm) [Model No.: NJT5762FA] |
| Output Power @ 1 dB G.C.P. | +40 dBm min. over temperature |
| Linear Gain | 64 dB nom., 58 dB min. |
| IM3 | -28 dBc typ. @ total power = +40 dBm - 3 dB |
| Requirement for External Reference | [Frequency] 10 MHz (sine-wave) [Input Power] -5 to +5 dBm @ Input port [Phase Noise] -125 dBc/Hz max. @ 100 Hz -135 dBc/Hz max. @ 1 kHz -140 dBc/Hz max. @ 10 kHz |
| L.O. Phase Noise | -60 dBc/Hz max. @ 100 Hz -70 dBc/Hz max. @ 1 kHz -80 dBc/Hz max. @ 10 kHz -90 dBc/Hz max. @ 100 kHz |
| Receive Band Noise Density | -87 dBm/4kHz max. |
| Input V.S.W.R. | 2.0 : 1 max. |
| Output V.S.W.R. | 2.0 : 1 max. |
| Power Requirement | +24 / +48 VDC (+18 to +60 VDC) |
| Power Consumption | 69 W typ., 75 W max. |
| Mute | Shut off the HPA in case of L.O. unlocked or no 10 MHz reference signal. |
| LED Indicator | GREEN: L.O. locked / RED: L.O. unlocked or no 10 MHz reference signal |
| Port for Voltage Input | IF Connector supplied by 150W AC/DC PSU through IF Cable |
| Temperature Range (ambient) | -40 to +55 C (operating), -40 to +75 C (storage) |
| Dimension & Housing (without Interface Connectors) | 219.5 mm (L) x 175 mm (W) x 99 mm (H) [8.64" (L) x 6.89" (W) x 3.90" (H)] |
| Weight | 3.2 kg [7.0 lbs] |

- 150W AC/DC PSU -

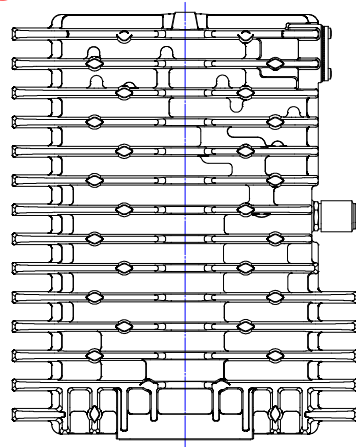
| Item | Specifications |
|---|--|
| Interface | AC Input IEC320-C14 inlet IF/Ref./(DC) Input N-type, female (50 ohm) / F-type, female (75 ohm) IF/Ref./DC Output N-type, female (50 ohm) / F-type, female (75 ohm) |
| Input AC Voltage Range | Rated Range 100 to 240 VAC Absolute Maximum Rating 90 to 264 VAC |
| Input AC Frequency Range | 50 / 60 Hz |
| Output Voltage / Power | +48 VDC +/- 10 % / 150 W max. |
| Efficiency | 80 % typical at 120 VAC, full load |
| Power Factor | 0.98 typical at 120 VAC, full load |
| IF Frequency | 950 to 1,700 MHz |
| IF Insertion Loss | 1 dB max. |
| IF Input/Output VSWR | 1.5 : 1 max. |
| Standard | EN55022, EN55024, EN60950-1, EN61000-3-2/3, EN62311 |
| Temperature Range (ambient) | 0 to +50 C (operating), -30 to +85 C (storage) |
| Cooling | Forced Air by Fan |
| Dimension & Housing (without Interface Connectors / Switch) | 290 mm (W) x 230 mm (D) x 44 mm (H) [11.41" (W) x 9.06" (D) x 1.73" (H)] |
| Weight (without Cable) | 1.6 kg [3.5 lbs] |
| Accessories | Coaxial cable of 1 m, AC power cable of 1 m, 1U rack mount kit (Option) |

■ C-band 10W BUC [AC Power Operating Option]

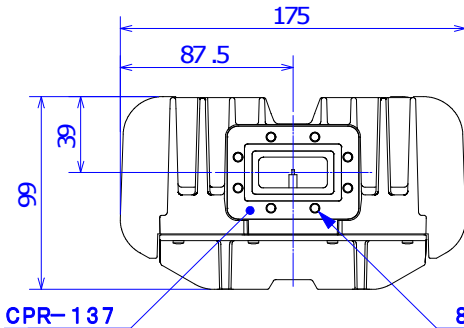
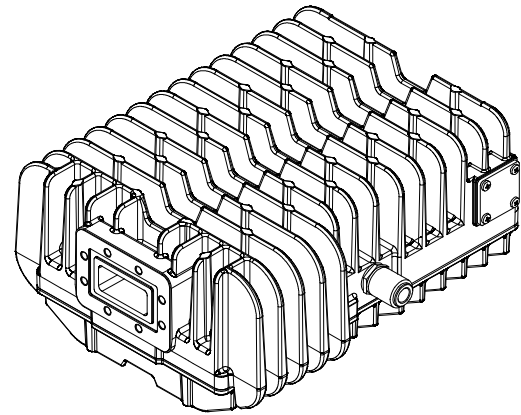
MODEL No. **NJT5762NA/62FA**

< Outline Drawing >

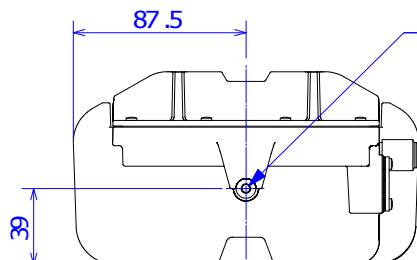
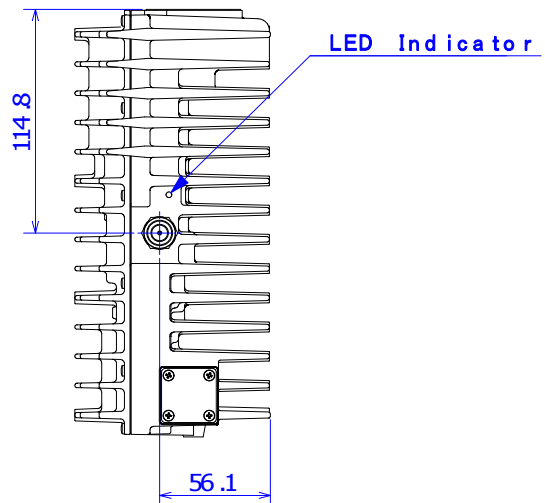
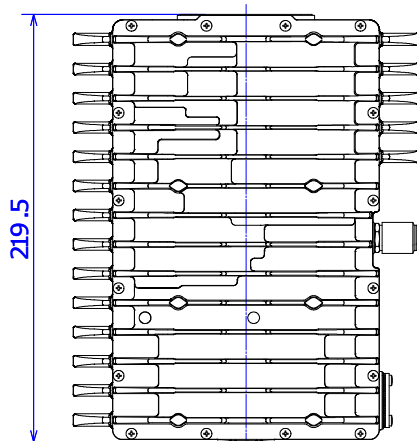
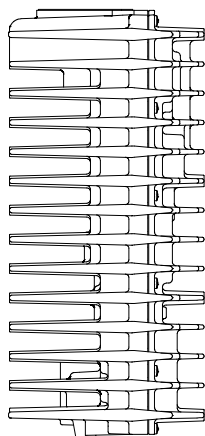
NJT5762NA
- BUC -



N-type, female connector
IF / Ref. (10MHz)
DC Power: +18 to +60 VDC



8-No. 10-32UNF depth 8 min.



Unit: mm

■ **C-band 10W BUC [AC Power Operating Option]**

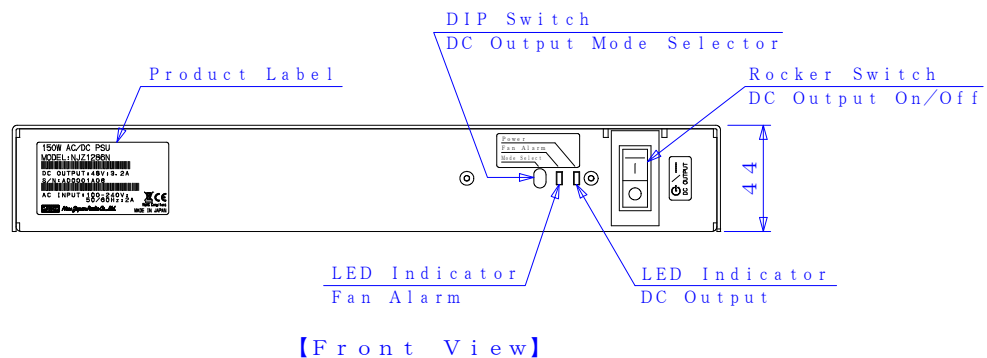
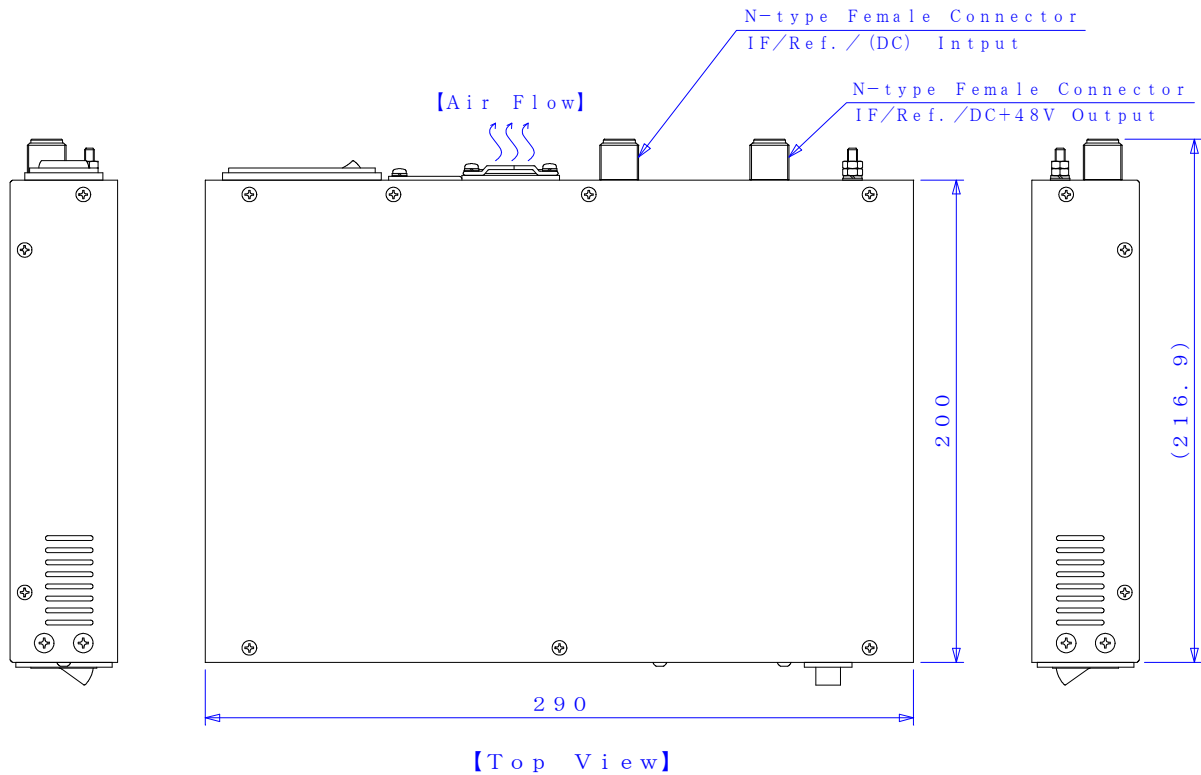
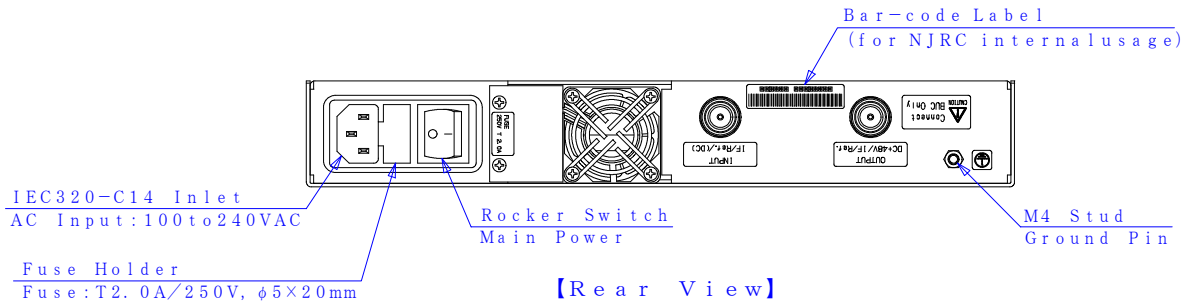
MODEL No. NJT5762NA/62FA

< Outline Drawing >

NJT5762NA

- 150W AC/DC PSU -

UNIT : mm

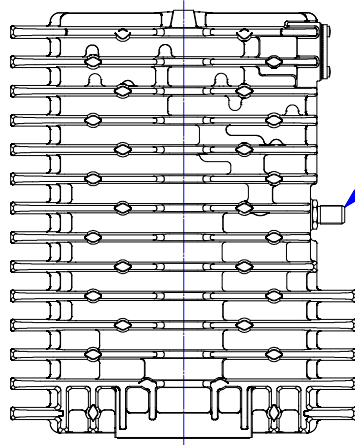


■ C-band 10W BUC [AC Power Operating Option]

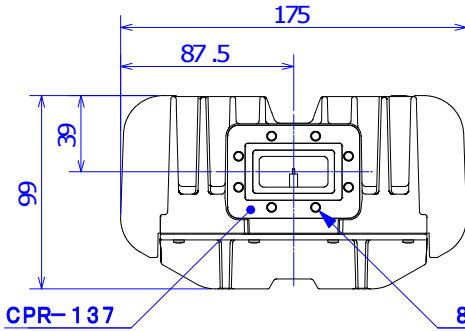
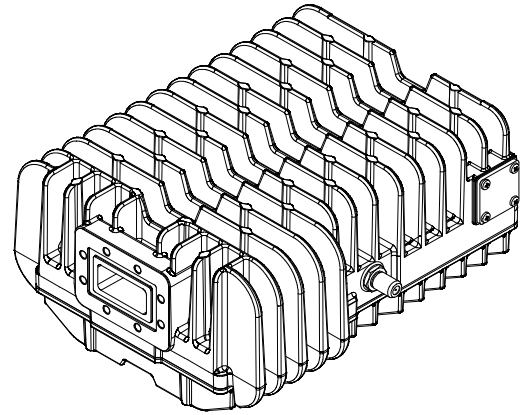
MODEL No. **NJT5762NA/62FA**

< Outline Drawing >

NJT5762FA
- BUC -

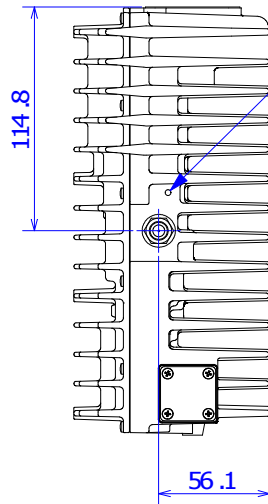
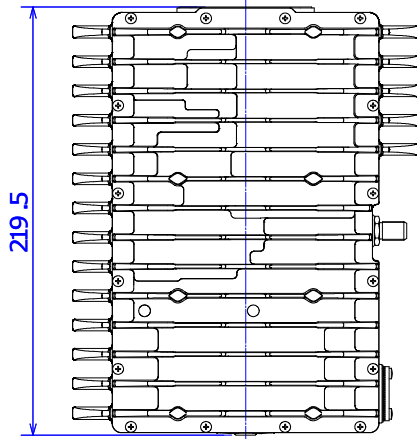
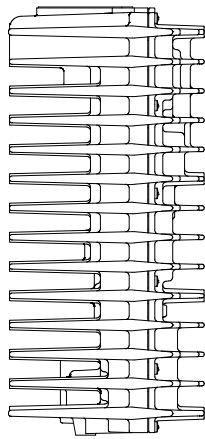


F-type, female connector
IF / Ref. (10MHz)
DC Power: +18 to +60 VDC

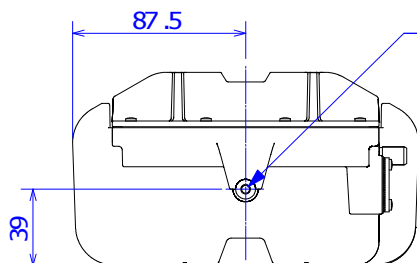


CPR-137

8-No. 10-32UNF depth 8 min.



LED Indicator



No. 10-32UNF depth 8 min.

Unit: mm

■ **C-band 10W BUC [AC Power Operating Option]**

MODEL No. NJT5762NA/62FA

< Outline Drawing >

NJT5762FA

- 150W AC/DC PSU -

UNIT : mm

